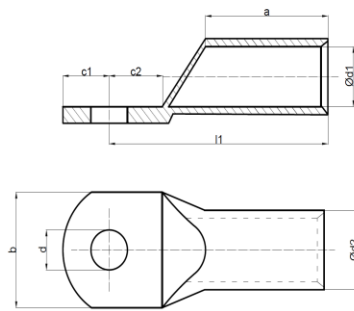


ECO TYPE TUBULAR CABLE LUGS

Electrical connection systems

Copper tubular cable lugs and connectors



Material:

► Copper(EN 13600)

Surface:

► Tin-plated to protect against corrosion (min. 5 micron)

Characteristics:

- Annealed material optimises material and crimping properties
- Simple and safe connection due to flat contact surfaces and internal chamfer
- Item identification on cable lug

Nominal cross section mm ²	Size of bolt dia.	Part No.	Dimension mm								Paking unit/pcs
			d	d1	d2	l1	a	c1	c2	b	
10 mm²	M5	SKP-E-01005	5,5	4,5	6,0	22,0	11,5	7,0	7,0	9,0	800,0
16 mm²	M6	SKP-E-01606	6,5	5,5	7,0	24,0	12,5	7,5	7,5	10,5	500,0
25 mm²	M8	SKP-E-02508	8,5	7,0	9,0	30,5	17,0	8,5	8,5	14,0	300,0
35 mm²	M8	SKP-E-03508	8,5	8,5	10,5	34,0	18,5	9,5	9,5	16,0	200,0
50 mm²	M10	SKP-E-05010	10,5	10,0	12,0	39,5	20,0	11,0	11,0	18,0	150,0
70 mm²	M10	SKP-E-07010	10,5	11,5	14,0	42,0	22,0	11,0	11,0	21,1	100,0
95 mm²	M10	SKP-E-09510	10,5	13,5	16,0	48,0	25,0	12,0	12,5	24,5	80,0
95 mm²	M12	SKP-E-09512	13,0	13,5	16,0	48,0	25,0	12,0	12,5	24,5	80,0
120 mm²	M12	SKP-E-12012	13,0	15,5	18,0	52,0	27,0	14,0	14,0	27,0	50,0
150 mm²	M12	SKP-E-15012	13,0	16,5	20,0	54,5	29,0	14,0	14,0	29,0	30,0
185 mm²	M16	SKP-E-18516	17,0	18,5	22,0	61,5	32,0	14,5	14,5	32,0	30,0
240 mm²	M16	SKP-E-24016	17,0	21,5	25,5	69,0	36,5	16,0	16,0	37,5	25,0

*CABLE LUGS WHICH ARE INDICATED WITH BOLD TEXT IN THIS TABLE ARE OUR STANDARD PRODUCTION.