

AĞIR HİZMET HORTUM

HEAVY DUTY HOSE

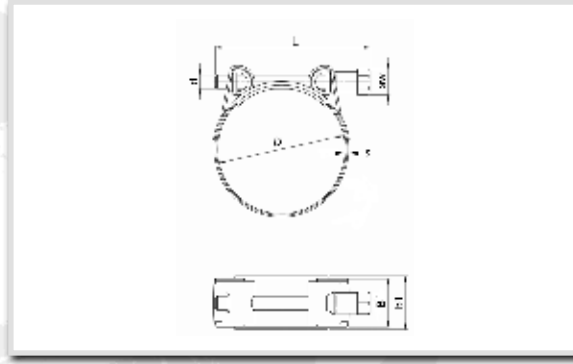


Diğer Teknik Özellikler: **Other Technical Features:**

- * Yüksek sıkma kuvvetleri gerektiren yerlerde kullanılır.
* For heavy duty applications where large tightening force are required.
- * Kenarlar yuvarlatılmış olup hortuma zarar vermesi önlenmiştir.
* Rolled edge presents hose damage.
- * Yüksek basınç ihtiva eden hortumlarda mükemmel performans sağlar
* Heavy duty clamp for all kinds of securing and fastaneing in which a total air tight quality is required at avarage and strong pressure.
- * Otomotiv,tarım,inşaat ve diğer sanayi sektörlerinde kullanılır.
* Application field : automotive,agriculture,construction and other industry sector.

KELEPÇESİ

CLAMPS



Ürün Kodu Product Code	Çap Ø Diameter Ø		Genişlik * Kalınlık Width * Thickness	b1	d*L	SW	Tork Değerleri Tork Value	Koli İçi Adedi Quantity Pcs Box
	mm	Inch					mm	
AH018W1-017019-01	17-19	11/16 - 3/4	18*0.8	20.0	M6x52	8	10.0	200
AH018W1-019021-01	19-21	3/4 - 13/16	18*0.8	20.0	M6x52	8	10.0	200
AH018W1-021023-01	21-23	13/16 - 29/32	18*0.8	20.0	M6x52	8	10.0	200
AH018W1-023025-01	23-25	29/32 - 1	18*0.8	20.0	M6x52	8	10.0	200
AH018W1-025027-01	25-27	1 - 11/16	18*0.8	20.0	M6x52	8	10.0	200
AH018W1-027029-01	27-29	11/16 - 15/32	18*0.8	20.0	M6x52	8	10.0	200
AH020W1-029031-01	29-31	15/32 - 17/32	20*1.0	23.0	M7x60	10	20.0	100
AH020W1-031034-01	31-34	17/32 - 15/16	20*1.0	23.0	M7x60	10	20.0	100
AH020W1-034037-01	34-37	15/16 - 17/16	20*1.0	23.0	M7x60	10	20.0	100
AH020W1-037040-01	37-40	17/16 - 19/16	20*1.0	23.0	M7x60	10	20.0	100
AH020W1-040043-01	40-43	19/16 - 11/16	20*1.0	23.0	M7x60	10	20.0	100
AH020W1-043047-01	43-47	11/16 - 17/8	20*1.0	23.0	M7x60	10	20.0	100
AH020W1-047051-01	47-51	17/8 - 2	20*1.0	23.0	M7x60	10	20.0	50
AH020W1-051055-01	51-55	2 - 25/32	20*1.0	23.0	M7x60	10	20.0	50
AH020W1-055059-01	55-59	25/32 - 25/16	20*1.0	23.0	M7x60	10	20.0	50
AH020W1-059063-01	59-63	25/16 - 21/2	20*1.0	23.0	M7x60	10	20.0	50
AH020W1-063068-01	63-68	21/2 - 211/16	20*1.0	23.0	M7x60	10	20.0	50
AH025W1-068073-01	68-73	211/16 - 27/8	25*1.4	28.0	M8x85	13	25.0	50
AH025W1-073079-01	73-79	27/8 - 31/8	25*1.4	28.0	M8x85	13	25.0	50
AH025W1-079085-01	79-85	31/8 - 311/32	25*1.4	28.0	M8x85	13	25.0	50
AH025W1-085091-01	85-91	311/32 - 39/16	25*1.4	28.0	M8x85	13	25.0	50
AH025W1-091097-01	91-97	39/16 - 313/16	25*1.4	28.0	M8x85	13	25.0	50
AH025W1-097104-01	97-104	313/16 - 43/32	25*1.4	28.0	M8x85	13	25.0	50
AH025W1-104112-01	104-112	43/32 - 43/8	25*1.4	28.0	M8x85	13	25.0	50
AH025W1-112121-01	112-121	43/8 - 43/4	25*1.4	28.0	M8x85	13	25.0	50
AH025W1-121130-01	121-130	43/4 - 51/8	25*1.4	28.0	M8x85	13	25.0	50
AH030W1-130140-01	130-140	51/8 - 51/2	30*1.5	33.5	M10x112	17	50.0	25
AH030W1-140150-01	140-150	51/2 - 57/8	30*1.5	33.5	M10x112	17	50.0	25
AH030W1-150162-01	150-162	57/8 - 63/8	30*1.5	33.5	M10x112	17	50.0	25
AH030W1-162174-01	162-174	63/8 - 67/8	30*1.5	33.5	M10x112	17	50.0	25
AH030W1-174187-01	174-187	67/8 - 73/8	30*1.5	33.5	M10x112	17	50.0	25
AH030W1-187200-01	187-200	73/8 - 77/8	30*1.5	33.5	M10x112	17	50.0	25
AH030W1-200213-01	200-213	77/8 - 83/8	30*1.5	33.5	M10x112	17	50.0	25
AH030W1-213226-01	213-226	83/8 - 87/8	30*1.5	33.5	M10x112	17	50.0	25
AH030W1-226239-01	226-239	87/8 - 93/8	30*1.5	33.5	M10x112	17	50.0	25
AH030W1-239252-01	239-252	93/8 - 97/8	30*1.5	33.5	M10x112	17	50.0	25

BAND TİPİ MATERIAL CODE	BANT BAND	ÇİVATA BOLT	SOMUN NUT
W1	DC01 - DIN EN 10130	20MnB4 - Çinko Kaplama	DD11 - DIN EN 10111
	DC01-DIN EN 10130	20MnB4 - Zn PLATED	DD11 - DIN EN 10111